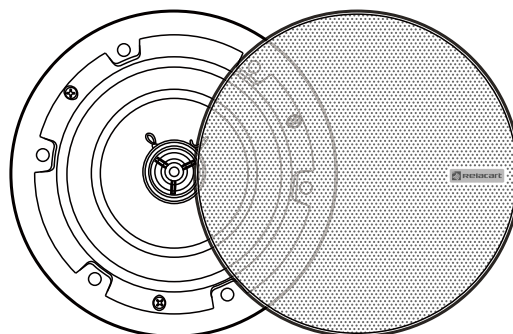


Specification

Power supply:	standard POE/POE +
Supply voltage:	37V-57V
Input method:	Dante
Output power:	POE 10W/POE+ 20W
Frequency response (-3dB):	85Hz-17KHz
Sensitivity:	90dB
Nominal coverage angle:	Horizontal/vertical 90°/90°
Input connector on active speaker:	RJ45 JACK
Installation hole size:	φ190mm
Dimensions:	210x150mm
Weight:	about 1.8kg



RDA10

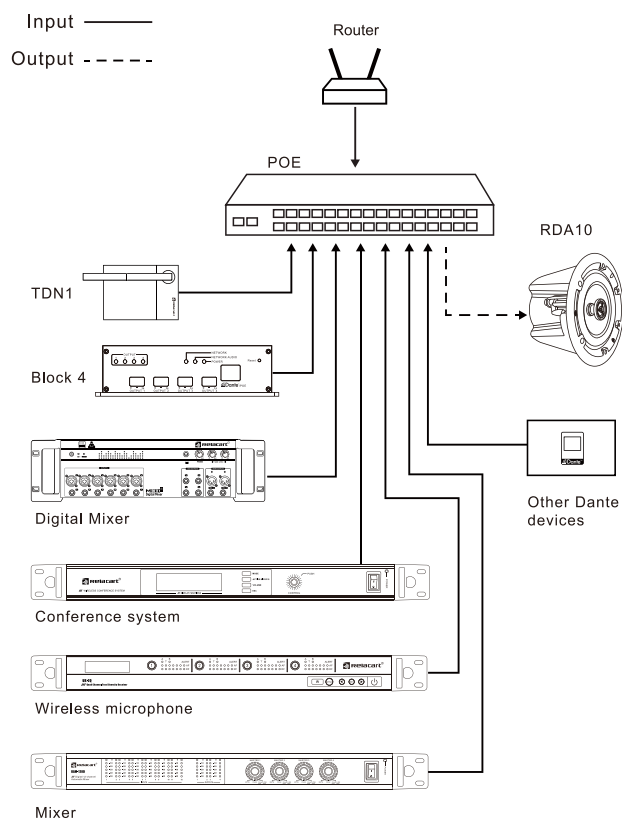
PoE Dante Ceiling Speaker

Instruction manual

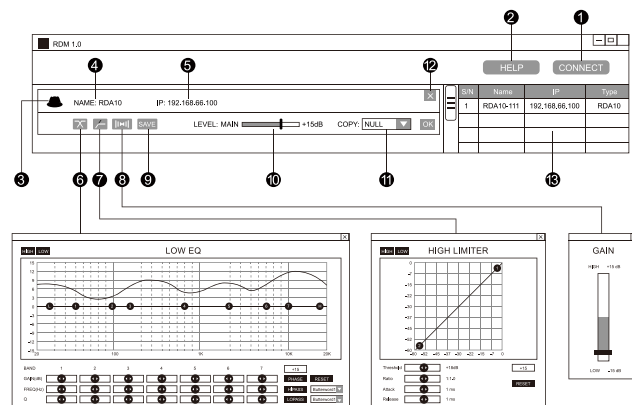


www.relacart.com

Connection diagram



RDM software diagrammed



- CONNECT:** Click this button, it will be displayed as "CONNECTED", which means that the speaker in the LAN will be searched automatically and connected automatically.
- HELP:** Click to enter the software application guide.
- Speaker product profile:** Shows the profile of the currently connected speaker.
- NAME:** Displays the name of the currently connected speaker.
- IP:** Displays the IP address of the current speaker.
- EQ Switch:** Click the icon to pop up EQ interface.
- LIMITER Switch:** Click the icon to pop up limiter interface.
- GAIN Switch:** Click the icon to pop up gain adjustment interface.
- SAVE Switch:** Click the icon to pop up save interface.
- Level main volume:** Push the fader to adjust the master volume level of the device.
- COPY:** Click the drop-down menu to select the speaker with set parameters, and then click "OK" to copy the set parameters to the current speaker. (Note: Only the same model of speaker can be copied)
- Close the speaker function window button.**
- Speaker list:** Shows the number, name, model and IP address of speakers searched. Double-click the selected speaker to open the features page on the left.

Product Introduction

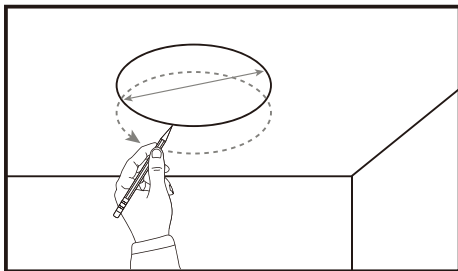
The RDA10 is a cost-effective full-range 6.25-inch coaxial ceiling speaker, features a Class-D digital audio amplifier will provide maximum 20W power. It is ideal for hotels, conference rooms, shopping center, education, hospitals, retail stores, performing art centers, restaurants, airports, houses of worship, and board rooms.

- The RDA10 is a cost-effective full-range coaxial ceiling loudspeaker that utilizes standard flex clips for quick and easy installation.
- With its frameless construction and beautifully slim design, it can be subtly integrated into the ceiling environment, making it the first choice for applications.
- Removable magnetic lacquered grille cover for seamless coverage of the entire speaker.
- Anti-drop buckle design improves the safety of temporary placement.
- Supports PoE/PoE+ Ethernet audio connection and power supply, eliminating the need for external amplifiers and external power supplies.
- Compatible with all DANTE/AES67 audio networking products, transmitting data signals through the RJ45 connector.
- Supports Relacart RDM speaker management software for easy setup and remote management.

Installing the Speakers

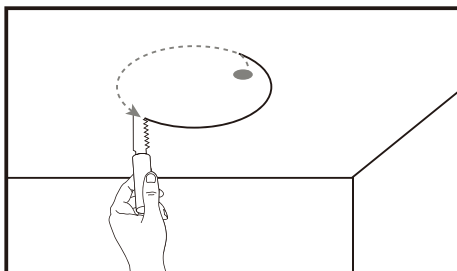
Cutting the speaker hole

1. Use a pencil to draw the hole diameter at the position where the speaker is installed on the ceiling, and mark the contour line with no less than 185-200mm.



Warning: The thickness of the ceiling should not exceed 30mm, and do not cut into the surface when drawing the outline, so as not to damage the wires or pipes on the back and cause safety hazards. If you are not sure about your ability to install this speaker yourself, please contact a professional installer for on-site installation.

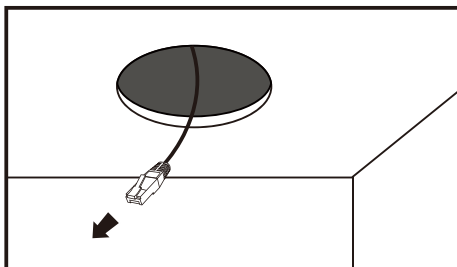
2. Drill a hole inside the ceiling area large enough for your cutting tool.
3. Cut along the line you traced.



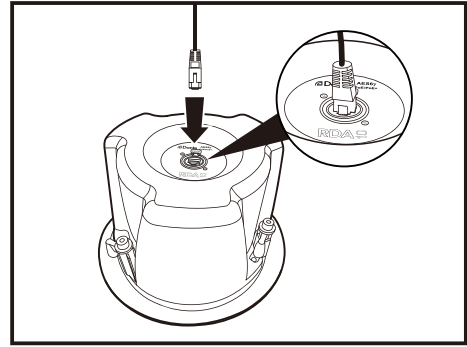
4. Remove the cut plate.
5. Clear away any torn or rough material from around the hole.

Connecting the speaker wire

1. Please pull the RJ45 wire of the speaker connection through the conduit. Allow enough wire to connect the speaker from where you are standing.

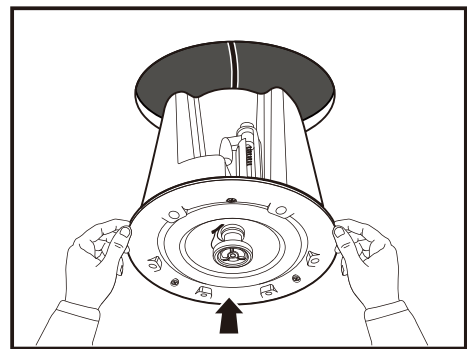


2. Then plug the RJ45 cable into the speaker. Once connected, make sure to close the carrying case with the cover provided.



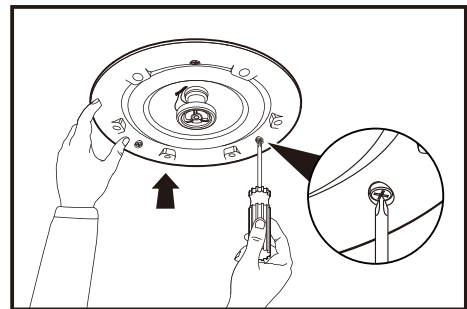
Installing the speaker

1. Holding the outside edges, insert the speaker into the hole.



Note: Do not press the small drive unit in the front center of the speaker, this will damage the speaker.

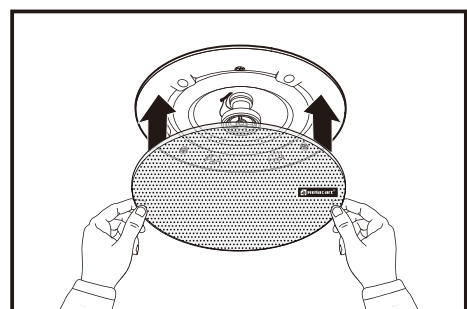
2. Tighten all the clamp screws with a Phillips head screwdriver.



Note: If using a power drill, choose the lowest torque setting.

Installing the grille

Place the grille on speaker, The grille magnetically attaches to the rim of the speaker, It can be removed or installed freely.



Warning: Painting the grille, You can paint the speaker grilles before you attach them to the speaker. Relacart is not responsible for the quality of adhesion or finish of non-factory-applied paints.